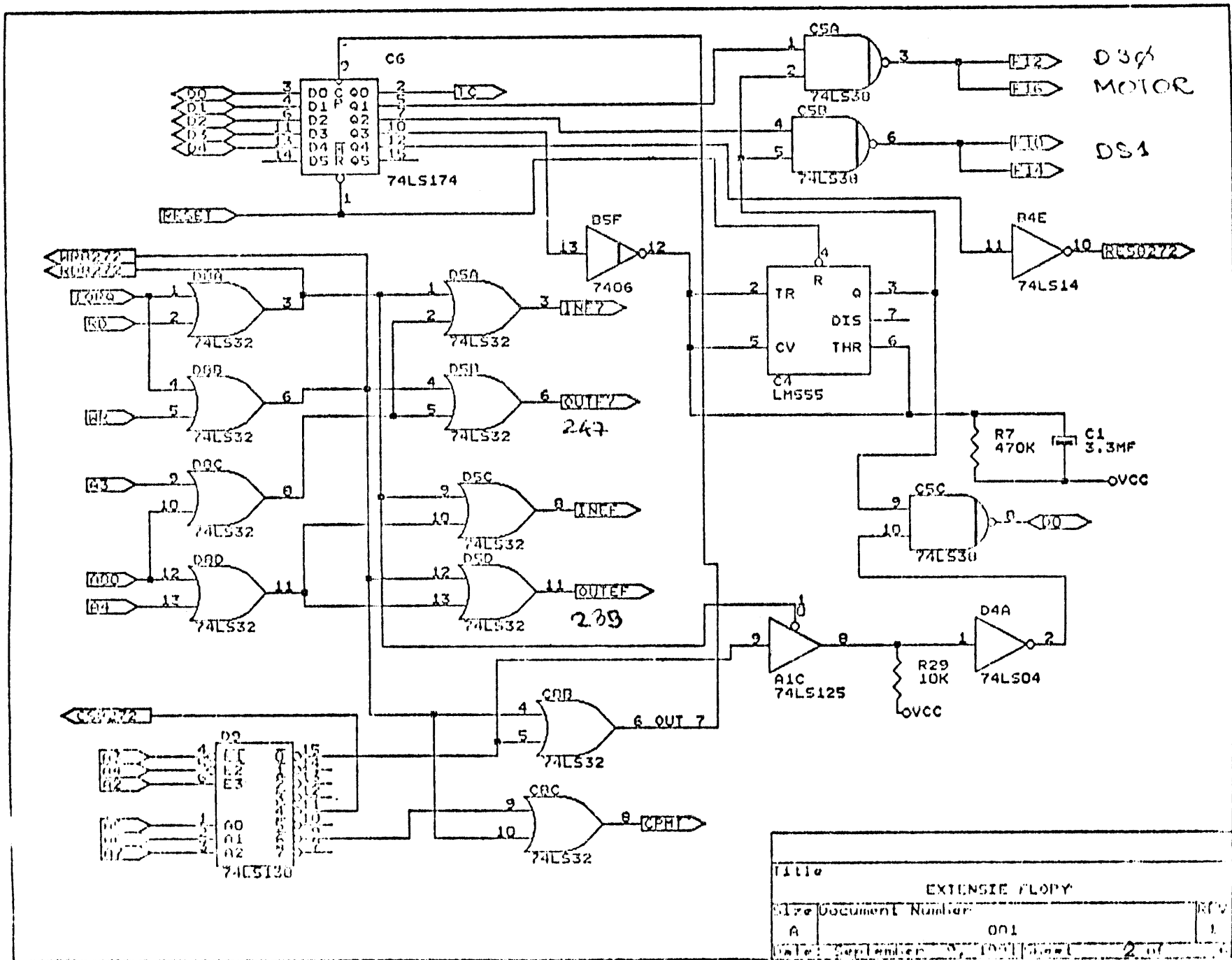
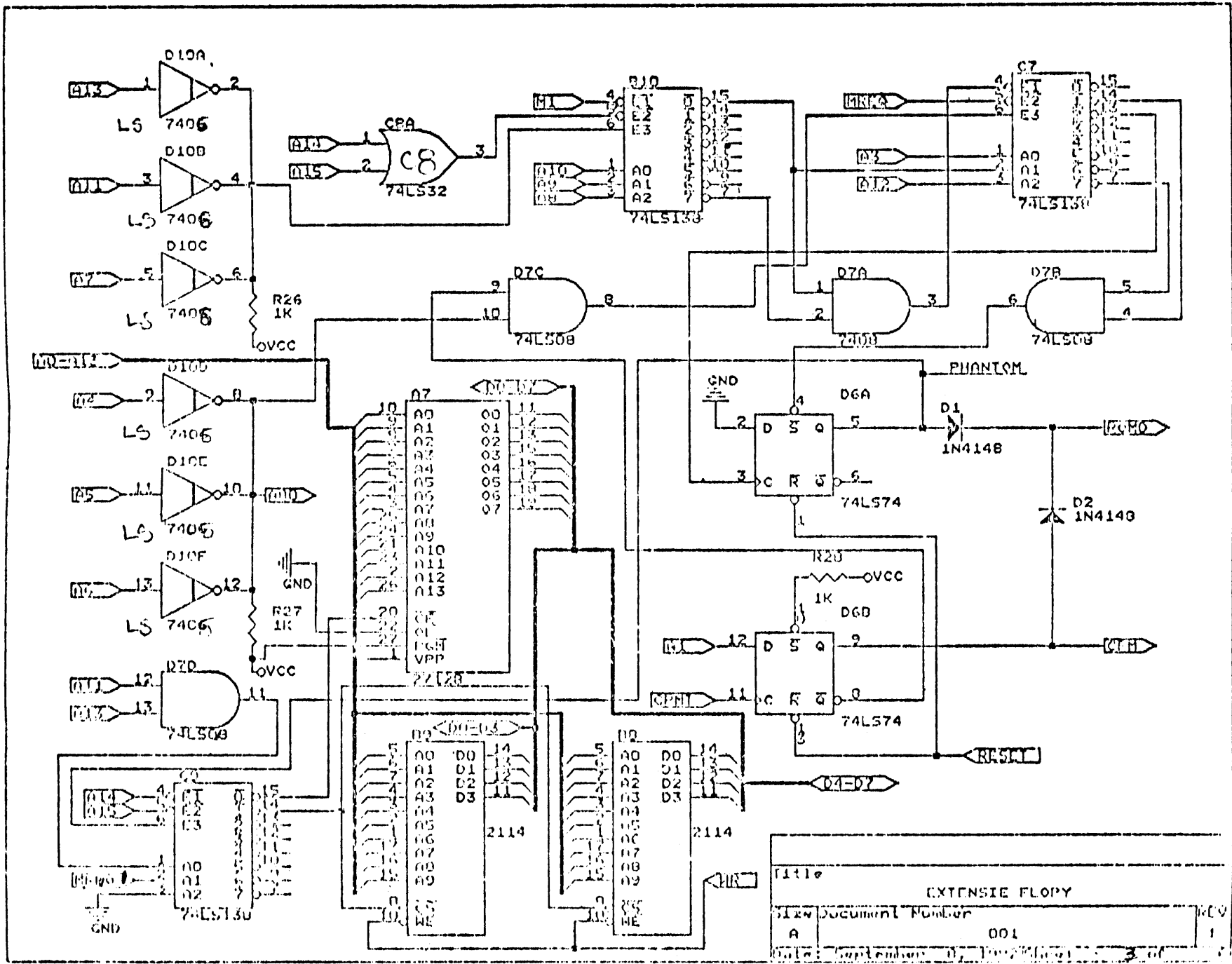


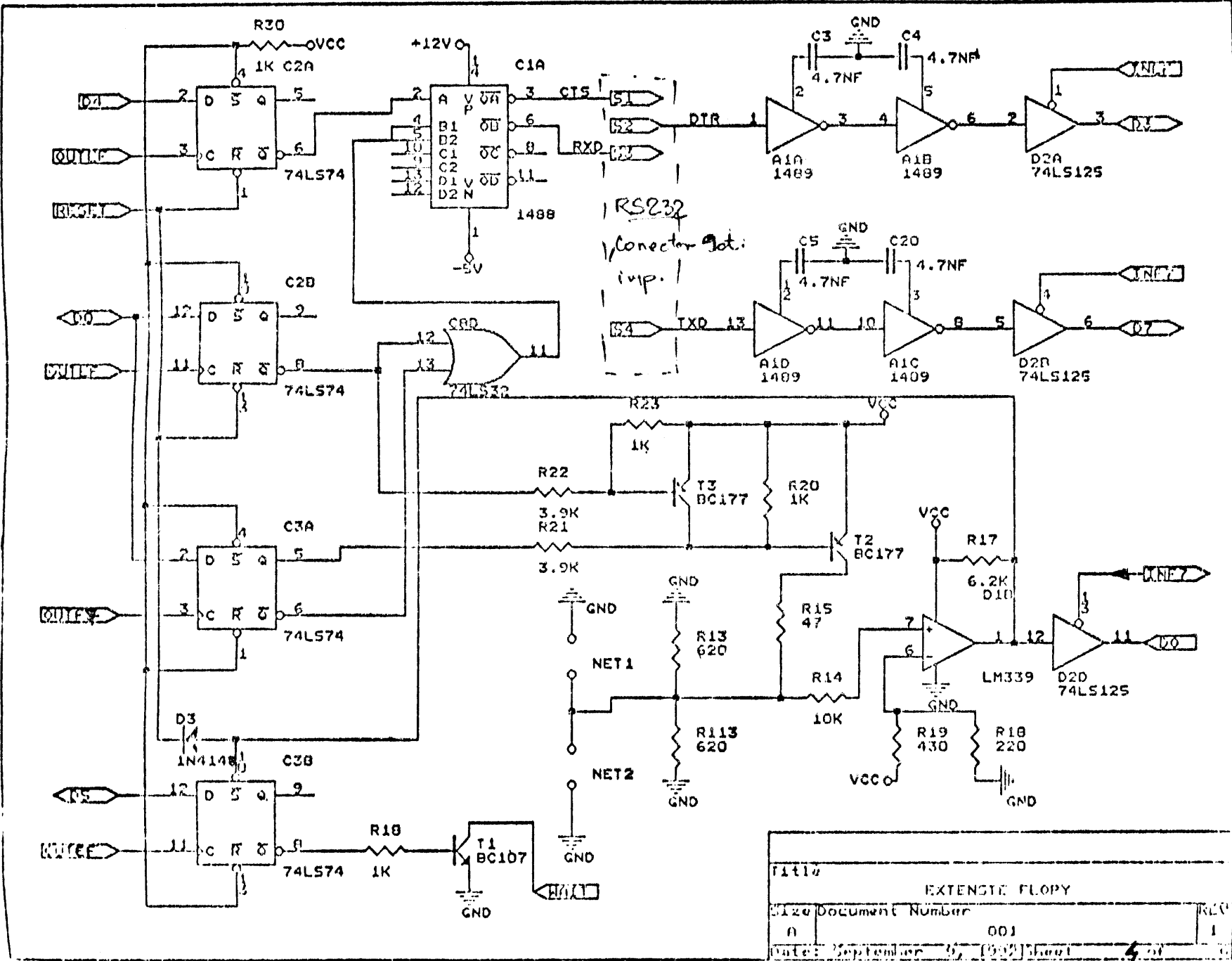
Title			external floppy
Size	Document Number	REV	
A	001	1	
Date	September 27, 1991	Page	1/01



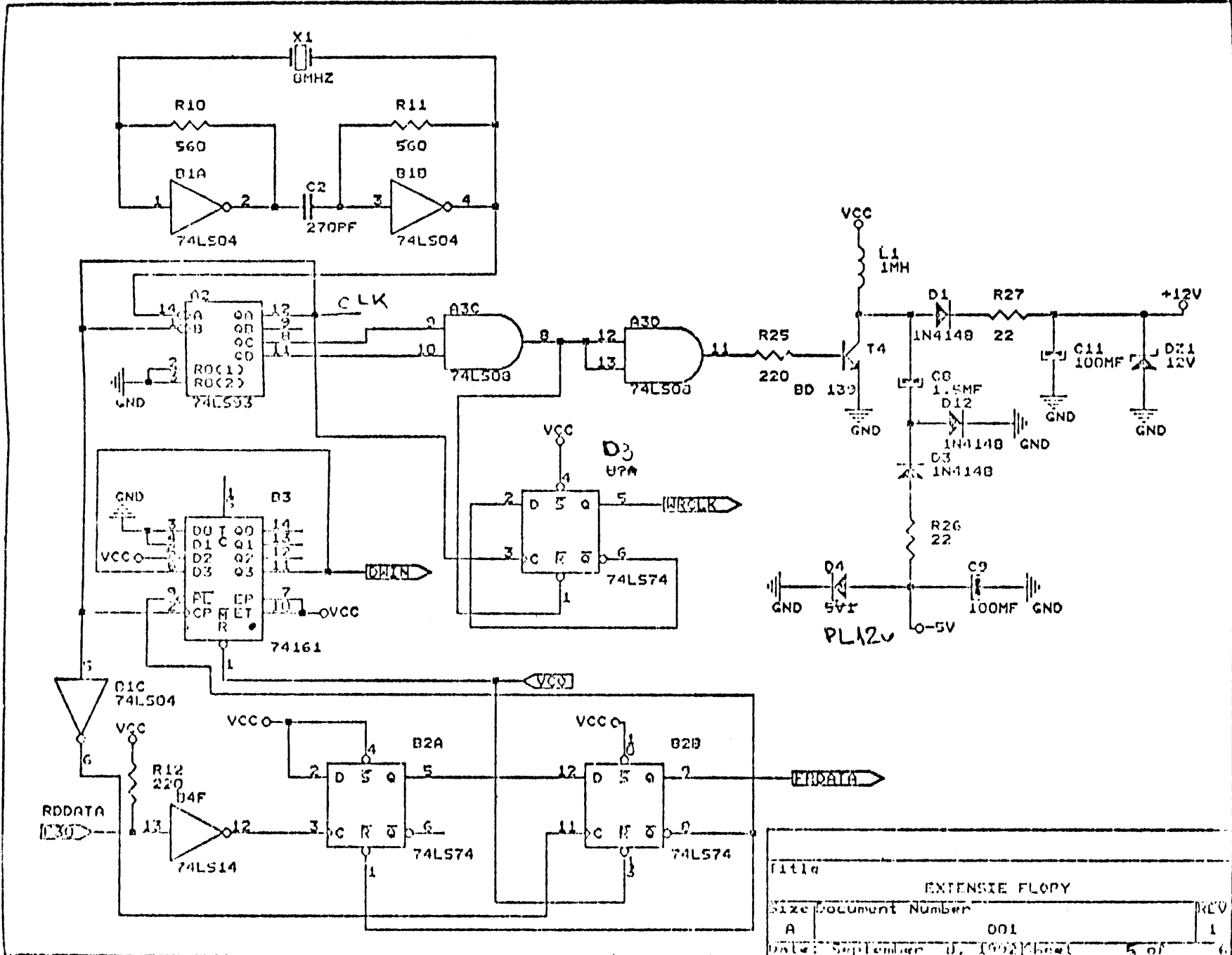
Title		
EXTENSIE FLOPY		
Size	Document Number	REV
A	001	1
Date	September 2, 1981	2 of 2



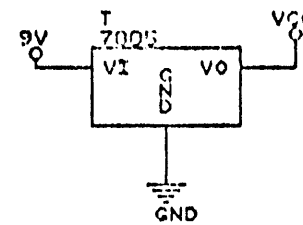
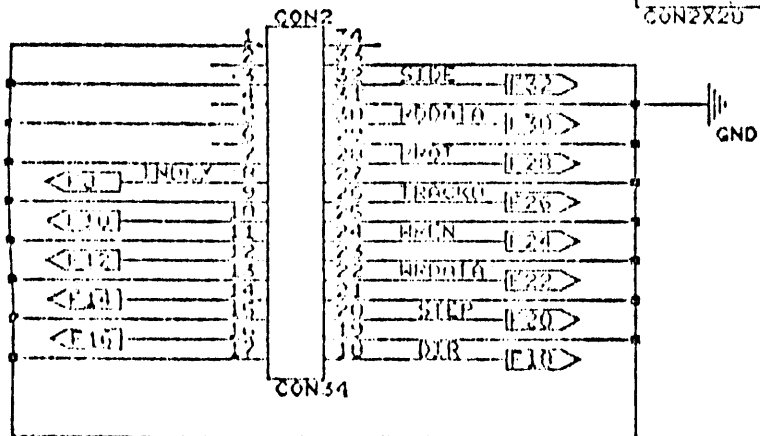
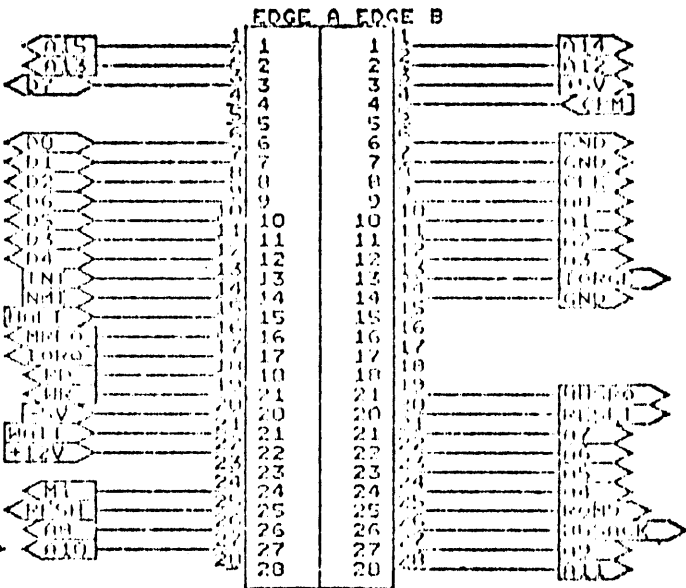
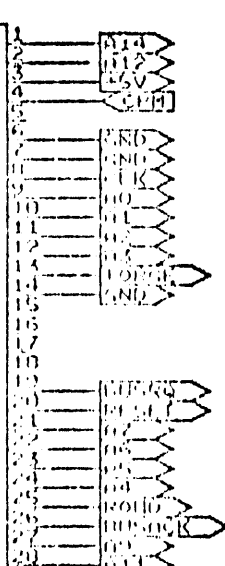
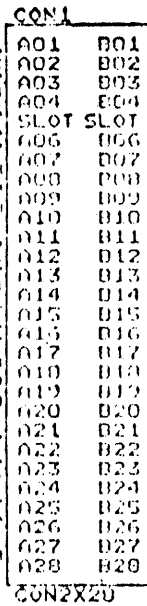
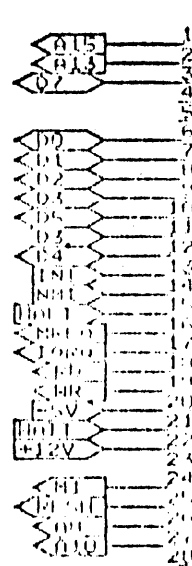
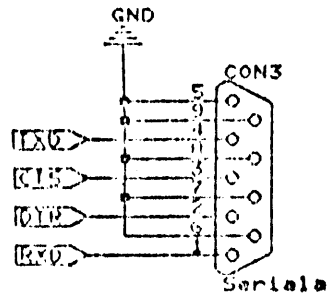
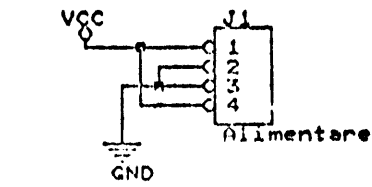
Title		
EXTENSIE FLOPY		
Size	Document Number	REV
A	001	1
Date:	September 07, 1977	3 of 3



Title		
EXTENSIC FLOPY		
Size	Document Number	REV
A	001	1
Date: September 05, 1982		Sheet 4 of 4



Title		EXTENSIE FLOPY	
Size	Document Number	REV	
A	001	1	
Date: September 11, 1992		Sheet	5 of 6



Title		
EXTENSIE FLOPY		
Size	Document Number	RIV
A	001	1
Date: September 9, 2002		